

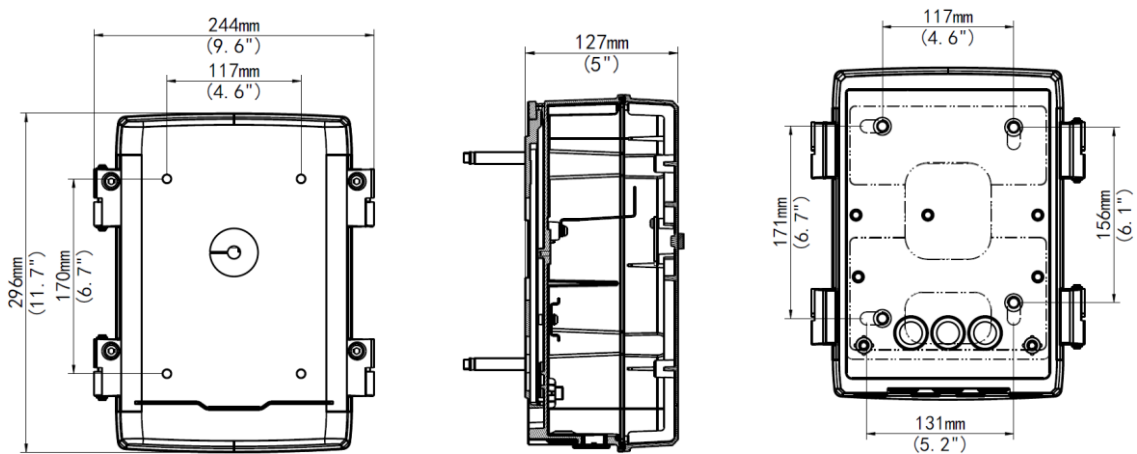
TR-JB12-IN 12-inch Junction Box



Specifications

| | |
|-------------|--|
| Bracket | TR-JB12-IN |
| Application | Outdoor or indoor cable junction box for PTZ Dome series |
| Dimensions | 296mmx244mmx127mm (11.7" x9.6" x5") |
| Weight | 2.5kg(5.5lb) |
| Material | Aluminum alloy |

Dimensions



Zhejiang Uniview Technologies Co.,Ltd.

South Tower, Building 10, Wanlun Science Park, 88 Jiangling Road, Hangzhou, P.R.China 310051

Email: overseasbusiness@uniview.com; globalsupport@uniview.com

<http://www.uniview.com>

©2022 Zhejiang Uniview Technologies Co.,Ltd. All rights reserved.

*Product specifications and availability are subject to change without notice.